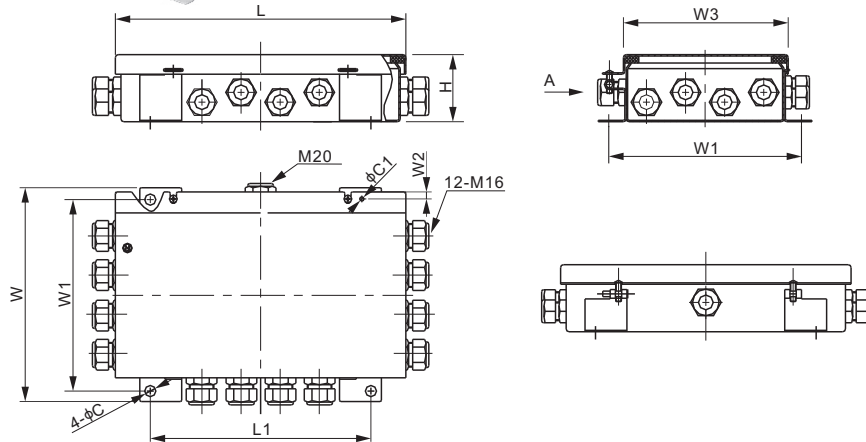


### Features:

- Enclosure Material: Stainless steel SS304
- Number of cells: 2 - 12 single cells
- Trimming: Section or individual cell trim, with excitation or signal trim
- Equipped with independent potentiometers
- Captive stainless steel screws
- IP Rating: IP65



### DIMENSIONS

	C	C1	H	L	L1	W	W1	W2	W3
mm	8	3	47	200	150	174	159	3.5	150
inches	0.3	0.1	1.8	7.9	5.9	6.9	6.3	0.1	5.9

### SPECIFICATIONS

<b>Number of Cells</b>	2 - 12 single cells	<b>Trimming</b>	Section or individual cell trim, with excitation or signal trim
<b>Input Cable Fittings</b>	M16: 4mm - 8mm diameter cable		
<b>Output Cable Fittings</b>	M20: 5mm - 9mm diameter cable	<b>Enclosure Material</b>	Stainless steel SS304
		<b>IP Rating</b>	IP65

### TRIMMING RANGE

Load Cell Resistance	Signal Trim	Excitation Trim
350 Ω	3.6% of output	2.3% of output
700 Ω	6.3% of output	1.3% of output
1000 Ω	7.0% of output	1.0% of output

### PART NUMBER

Trimming	Section Trim	Lightning Protection	Part No.	Weight (kg) Approx.
Excitation	Yes	No	J12ES	1.1
Signal	Yes	No	J12SS	1.1
Excitation	No	No	J12ES-I	1.1
Signal	No	No	J12SS-I	1.1
Excitation	No	Yes	J12ES-II	1.1
Signal	No	Yes	J12SS-II	1.1
Excitation	Yes	Yes	J12ES-III	1.1
Signal	Yes	Yes	J12SS-III	1.1

### MOTHERBOARD LAYOUT

